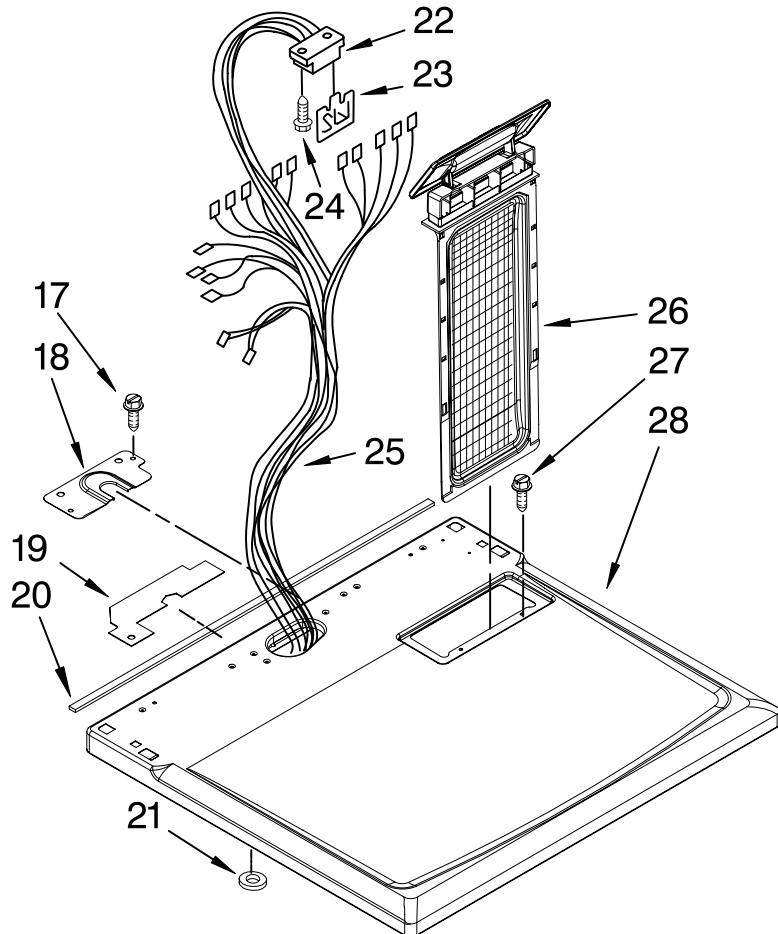
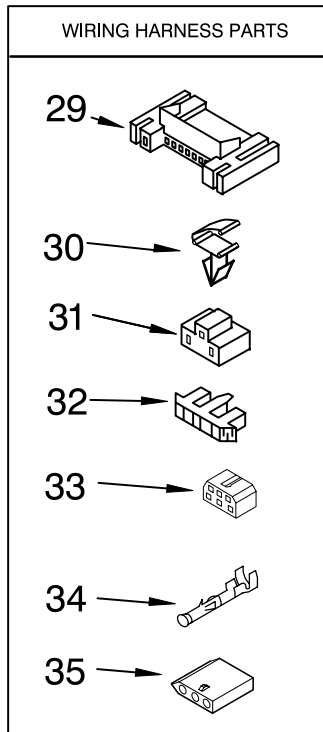
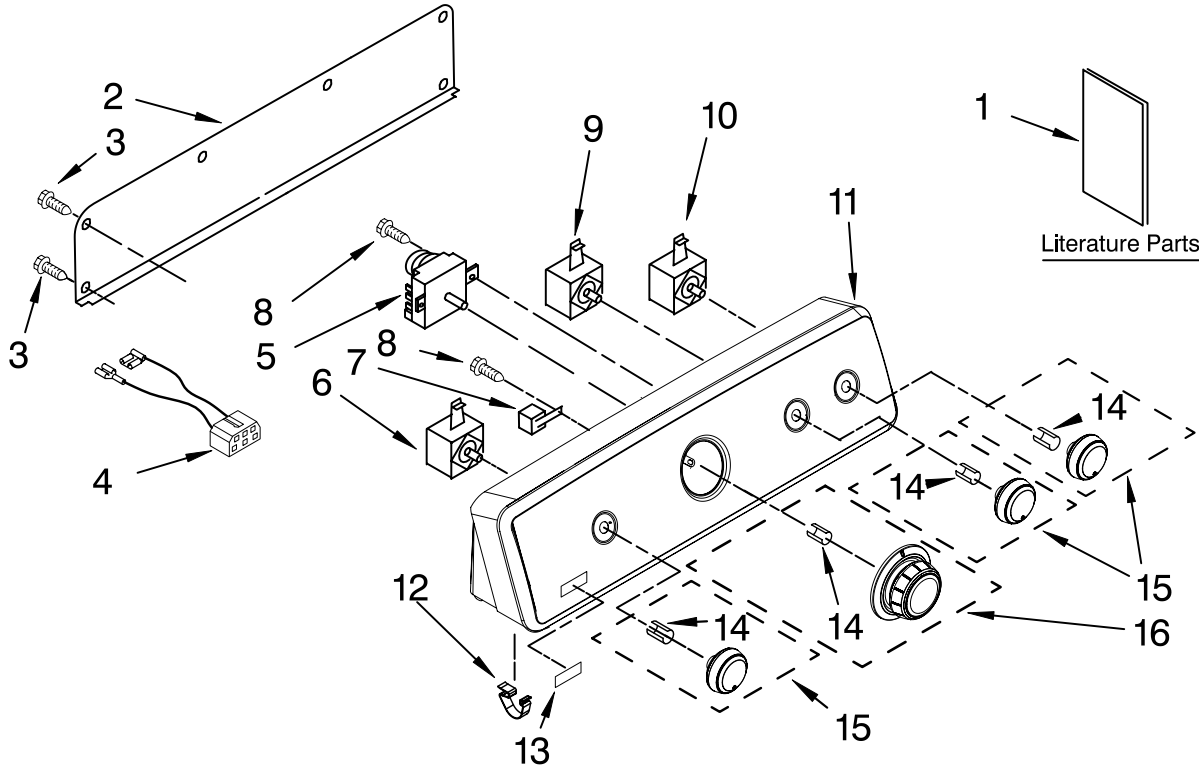


TOP AND CONSOLE PARTS

For Model: MED5870TW0

(White)

29" ELECTRIC DRYER



FOR ORDERING INFORMATION REFER TO PARTS PRICE LIST

TOP AND CONSOLE PARTS

For Model: MED5870TW0

(White)

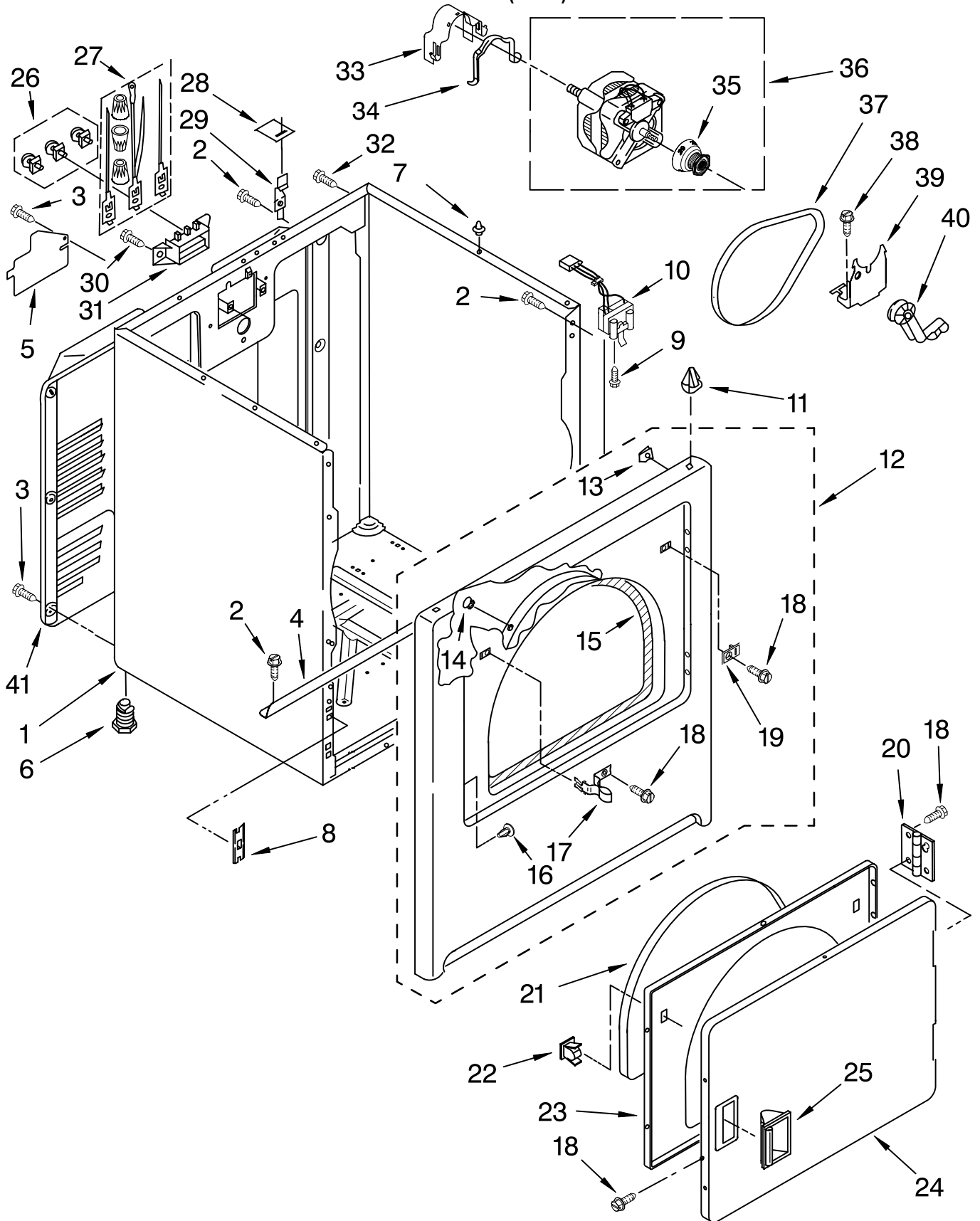
| Illus. No. | Part No. | DESCRIPTION | Illus. No. | Part No. | DESCRIPTION | Illus. No. | Part No. | DESCRIPTION |
|---------------|-------------|--------------------|---------------|-------------|--------------------|---------------|-------------|--------------------|
| 1 | | Literature Parts | 10 | W10117655 | Switch, | 23 | 8558178 | Control, |
| | W10089171 | Sheet, | | | Push-To-Start | | | Electronic |
| | | Cycle Feature | 11 | W10086717 | Console & Shell | 24 | 343641 | Screw, 10-16 x 1/2 |
| | W10088770 | Use & Care Guide | | | Assembly (Includes | 25 | W10113070 | Harness, Wiring |
| | 8578889 | Wiring Diagram | | | Items 12 & 13) | 26 | 8565972 | Screen, Lint |
| | | | 12 | 8312709 | Clip, Console | 27 | 688983 | Screw, 8-18 x 5/8 |
| | | | 13 | W10112569 | Badge Assembly | 28 | W10112599 | Top |
| 2 | W10112576 | Panel, Rear | 14 | 8536939 | Clip, Spring | 29 | 3395683 | Connector (Motor) |
| 3 | 693995 | Screw, 8-18 x 3/8 | 15 | W10110035 | Knob, Control (3) | 30 | 3394427 | Clip, Harness |
| 4 | W10113080 | Wire, Jumper | 16 | W10110036 | Timer Knob | 31 | 3401144 | Connector |
| | | Buzzer On/Off | | | Assembly | | | (PTS Relay) |
| 5 | 8566184 | Timer, 60 Hz. | 17 | 337686 | Screw, 8-18 x 3/4 | 32 | 3397269 | Connector (Timer) |
| 6 | 3405156 | Switch, Rotary | 18 | 8565981 | Bracket, Harness | 33 | 3347243 | Connector, |
| | | Twist Mount | 19 | W10118608 | Seal, Harness | | | 6-Circuit |
| 7 | 694419 | Buzzer, Mini | 20 | W10112267 | Seal, Foam | 34 | 94614 | Terminal |
| 8 | 8533971 | Screw, 8-18 x 5/16 | | | Console Bracket | 35 | 3936144 | Connector |
| 9 | 8578352 | Switch, | 21 | 237446 | Washer (Top/Chute) | | | |
| | | Temperature | 22 | 3391885 | Connector, Edge | | | |

FOR ORDERING INFORMATION REFER TO PARTS PRICE LIST

CABINET PARTS

For Model: MED5870TW0

(White)



FOR ORDERING INFORMATION REFER TO PARTS PRICE LIST

CABINET PARTS

For Model: MED5870TW0

(White)

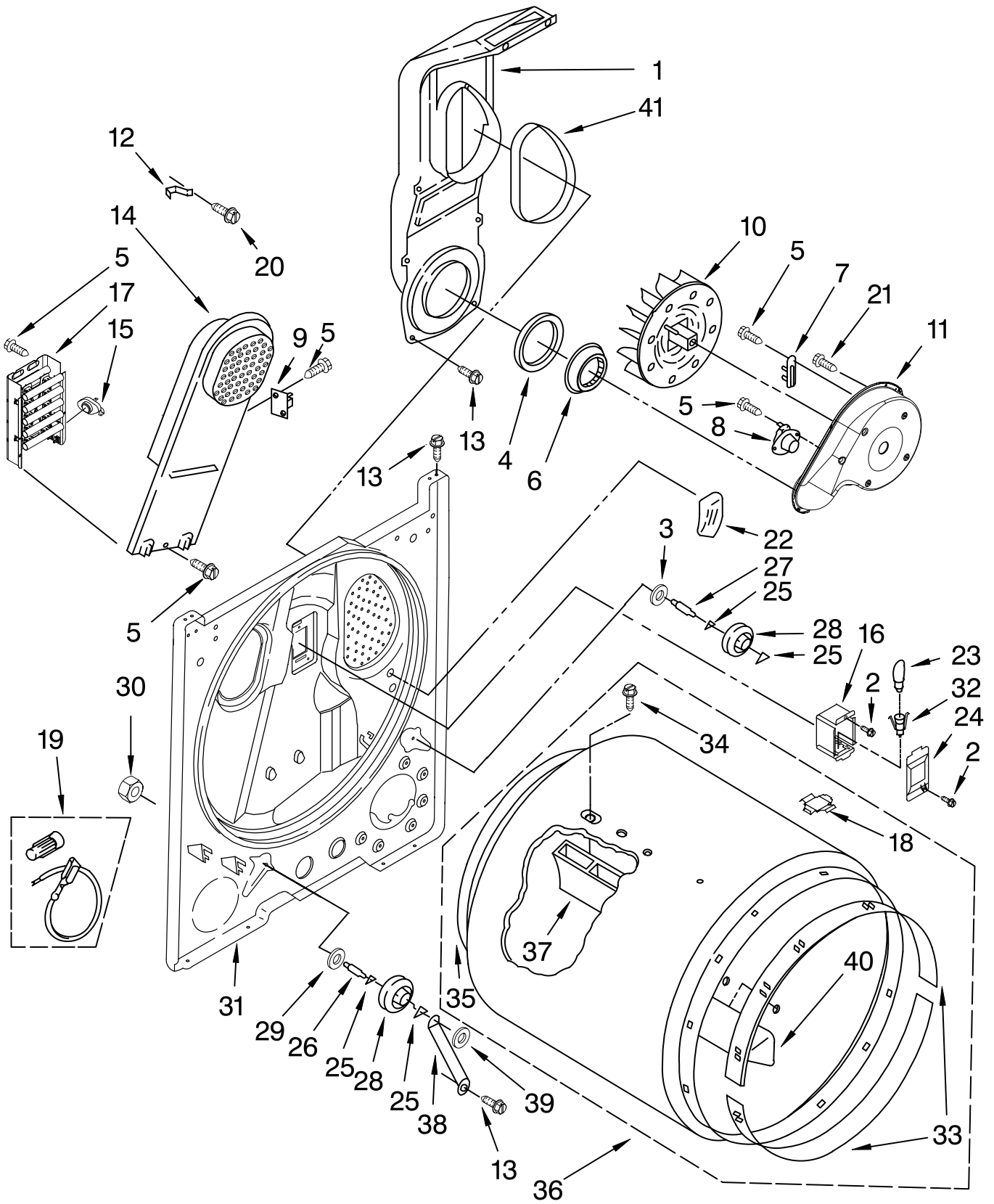
| Illus. No. | Part No. | DESCRIPTION | Illus. No. | Part No. | DESCRIPTION | Illus. No. | Part No. | DESCRIPTION |
|------------|----------|--|------------|----------|---|------------|-----------|----------------------------|
| 1 | 8530603 | Cabinet (Includes Item 4) | 13 | 98234 | Clip, Ground | 28 | 18849 | Pad, Top Hinge (2) |
| 2 | 343641 | Screw, 10-16 x 1/2 | 14 | 685203 | Clip, Felt Pad (3) | 29 | 8066217 | Hinge, Top (2) |
| 3 | 693995 | Screw, 8-18 x 3/8 | 15 | 3406129 | Seal & Bearing Assembly | 30 | 3393008 | Screw, 10-16 x 1/2 |
| 4 | 8541400 | Bracket, Cabinet | 16 | 3404413 | Plug, Hole | 31 | 3397659 | Block, Terminal |
| 5 | 3396795 | Cover, Block | 17 | 3403431 | Strike, Door | 32 | 697776 | Screw, 10-32 x 5/8 |
| 6 | 3392100 | Foot, Dryer | 18 | 342055 | Screw, 8-18 x 1/2 | 33 | 3404162 | Clamp, Motor (W/Shield) |
| | 279810 | Foot-Optional Extended Length (Package of 2) (Not Included) | 19 | 3403630 | Plug, Strike | 34 | 660658 | Clamp, Motor |
| 7 | 18776 | Locator, Top | 20 | 3405514 | Hinge, Door | 35 | 8066184 | Pulley, 60 Hz. |
| 8 | 3394083 | Clip, Front Panel (2) | 21 | 3405246 | Seal, Door | 36 | 8066206 | Motor Assembly 60 Hz. |
| 9 | 697773 | Screw, 6-20 x 7/8 | 22 | 3389441 | Catch, Door Assembly | 37 | W10131364 | Belt, Drive |
| 10 | 3406107 | Switch, Door | 23 | 3402341 | Door, Rear | 38 | 3400500 | Bolt, 5/16-18 x 3/4 |
| 11 | 98669 | Lock, Front Top (2) | 24 | 3402335 | Door, Front | 39 | 348780 | Base, Motor |
| 12 | 3403444 | Panel, Front | 25 | 8565970 | Handle, Door | 40 | 691366 | Idler & Pulley Assembly |
| | | | 26 | 279393 | Terminal Block Kit (For Terminal Block) | 41 | 3396805 | Panel, Rear |
| | | | 27 | 279318 | Terminal, Tinned & Brass (3) (Includes Item 26) | | | |

FOR ORDERING INFORMATION REFER TO PARTS PRICE LIST

BULKHEAD PARTS

For Model: MED5870TW0

(White)



FOR ORDERING INFORMATION REFER TO PARTS PRICE LIST

BULKHEAD PARTS

For Model: MED5870TW0

(White)

| Illus. No. | Part No. | DESCRIPTION |
|-----------------------|---------------------|--|
| 1 | 348368 | Lint Chute Assembly |
| 2 | 487909 | Screw, 8-15 x 1/2 |
| 3 | 3388703 | Washer-Support |
| 4 | 347139 | Seal, Lint Chute |
| 5 | 90767 | Screw, 8-18 x 3/8 |
| 6 | 696302 | Shield, Exhaust |
| 7 | 3392519 | Fuse, Thermal (91 C) |
| 8 | 8318268 | Thermostat, Internal-Bias |
| 9 | 3977393 | Thermal Cut-Off (Includes Item 15) |
| 10 | 694089 | Wheel, Blower |
| 11 | 8577230 | Housing, Blower |
| 12 | 3398161 | Clip |
| 13 | 343641 | Screw, 10-16 x 1/2 |
| 14 | 8541818 | Box, Heater |
| 15 | 3977767 | Thermostat, 221°F (105°C) |
| 16 | 3977373 | Bracket, Drum Light |
| 17 | 3403585 | Element, Heater |
| 18 | 8066086 | Drum Hole Plug |
| 19 | 279457 | Wire Kit, Terminal (For Heater Element Wiring Harness Repair) |
| 20 | 489463 | Screw, 8-18 x 5/8 |
| 21 | 3390647 | Screw, 8-18 x 1/2 |
| 22 | 3976479 | Pad, Sensor |
| 23 | 3406126 | Bulb |
| 24 | 3402841 | Lens, Drum Light |
| 25 | 690997 | Ring, Tri |
| 26 | 3399506 | Shaft, L.H. |
| 27 | 3399507 | Shaft, R.H. |
| 28 | 3397590 | Roller, Support |
| 29 | 348197 | Washer, Support |
| 30 | 3359452 | Nut, 3/8-16 |
| 31 | 3403414 | Bulkhead |
| 32 | W10136369 | Socket Assembly |
| 33 | 692526 | Ring, Bearing (2) |
| 34 | W10109200 | Screw, 11-16 x 3/4 |
| 35 | 3406130 | Seal, Rear Drum |
| 36 | 695587 | Drum Assembly |
| 37 | 692490 | Baffle, Drum (2) |
| 38 | 3976434 | Bracket, Support |
| 39 | 90296 | Clip |
| 40 | 3403636 | Baffle, Drum (1) |
| 41 | 339956 | Seal |

FOR ORDERING INFORMATION REFER TO PARTS PRICE LIST

OPTIONAL PARTS (NOT INCLUDED)

For Model: MED5870TW0

(White)

| Illus. | Part | |
|---------------|-------------|--------------------|
| No. | No. | DESCRIPTION |

ACCESSORY PARTS

279948 Kit,
Dryer Repair

3406839 Dry Rack

8522199 Kit, Dryer
Vent Testing

PAINT, TOUCH-UP (1/2oz.)

72017 White

PAINT, PRESSURIZED SPRAY (12 oz.)

350930 White

350938 Primer, Gray

PAINT, BULK (1 qt.)

799344 White (Uncut)

FOR ORDERING INFORMATION REFER TO PARTS PRICE LIST